

CRAWLER EXCAVATOR SERIES PC150LGP-6

KOMATSU



The machine shown may vary according to territory specifications

active

Designed and manufactured in Europe using the patented Komatsu HydraulMind hydraulic System which offers you 21st. century world-beating operation and performance.

HYDRAULIC EXCAVATOR PC150LGP-6

FLYWHEEL HORSEPOWER: 64 KW (86 HP / 87 PS) SAEJ1349

BUCKET CAPACITY: UP TO 0.84 m³ SAE

WEIGHT RANGE: UP TO 15,474 kg

ENGINE

Type 4 cylinder, direct injection emissionised turbo charged diesel

Model Komatsu S4D102E-1

Power rating SAE J1349 (Gross) 68 kW (91 HP) at 2200 rpm
SAE J1349 (Net) 64 kW (86 HP) at 2200 rpm

Bore x stroke 102 mm x 120 mm

Piston displacement 3.92 litre

Air-cleaner and cooling Double element type with monitor panel dust indicator and auto dust evacuator. Suction type cooling fan with radiator flyscreen.

ELECTRICAL SYSTEM

Alternator 24 Volt - 25 ampere

Batteries 2 x 12 Volt - 80 AH

Starter motor 24 Volt - 4.5 kW

HYDRAULIC SYSTEM

Type HydrauMind. Closed-centre system with load sensing and pressure compensation valves.

Additional circuits Depending on specification up to 1 additional circuit can be installed.

Main pump Variable displacement piston pumps supplying boom, arm, bucket, swing and travel circuits.

Maximum pump flow 237 litre/min

Relief valve settings Implement (Standard) 325 kg/cm²
Implement (Power Max) 355 kg/cm²
Travel 365 kg/cm²
Swing 275 kg/cm²
Pilot circuit 30 kg/cm²

DRIVES & BRAKES

Steering control 2 levers with pedals giving full independent control of each track.

Drive method Enclosed variable displacement axial piston motor driving through planetary double reduction gearbox for each track.

Travel operation Automatic 3-speed selection

Travel speeds Lo / Mi / Hi 2.1 / 2.8 / 4.6 km/h

Maximum drawbar pull 13,913 kg

Brake system Hydraulically operated discs in each travel motor.

SWING SYSTEM

Type Axial piston motor driving through planetary double reduction gearbox.

Swing lock Electrically actuated wet multi-disc brake integrated into swing motor. An additional mechanical pin can be engaged from inside the operator cab.

Swing speed 0 to 12.0 rpm

ENVIRONMENT

Engine emissions Fully complies with proposed EC stage 1 exhaust emission regulations.

Noise levels (95/27/EC - dynamic values)

| | |
|------------------------------------|-----------|
| L _{WA} External noise | 101 dB(A) |
| L _{PA} Operator ear noise | 77 dB(A) |

UNDERCARRIAGE

Construction X-frame centre section with box section track-frames

Track assembly..... Type Fully sealed
Shoes (each side) 45
Tension Combined spring and hydraulic unit

Rollers Track rollers (each side) 7
Carrier rollers (each side) 2

SERVICE / REFILL CAPACITIES

Fuel tank 240.0 ltr

Radiator 18.2 ltr

Engine 17.5 ltr

Swing drive 2.5 ltr

Hydraulic tank 90.0 ltr

Final drive (each side) 4.0 ltr

OPERATING WEIGHT

Operating weight, including 4600 mm one-piece boom, 2500 mm arm, SAE heaped 0.6 m³ backhoe bucket, operator, lubricant, coolant, full fuel tank and standard equipment.

| Triple grouser shoes | One-piece boom PC150LGP | |
|----------------------|-------------------------|-------------------------|
| | Operating weight | Ground pressure |
| 800 mm | 15830 kg | 0.27 kg/cm ² |
| 900 mm | 15970 kg | 0.24 kg/cm ² |
| 1000 mm | 16110 kg | 0.22 kg/cm ² |

MACHINE DIMENSIONS

PC150LGP-6

GENERAL DIMENSIONS

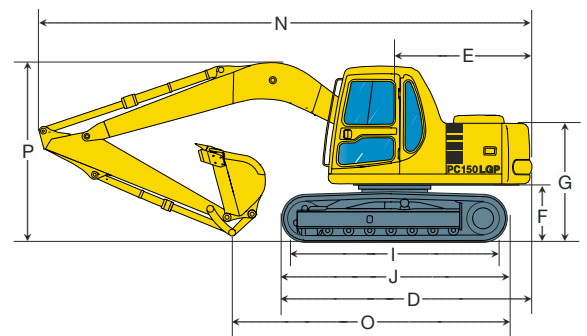
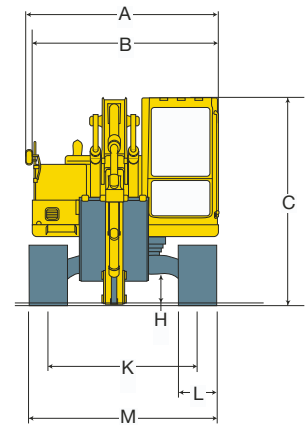
PC150LGP-6

| | | |
|----------|----------------------------------------------------------|-------------------|
| A | Overall width of upper structure with mirrors & handrail | 2760 mm |
| B | Overall width of upper structure | 2455 mm |
| C | Overall height of cab | 2860 mm |
| D | Overall length of basic machine | 4145 mm |
| E | Tail length / tail swing radius | 2115 mm |
| F | Clearance under counterweight | 1030 mm |
| G | Machine tail height | 1980 mm |
| H | Ground clearance | 442 mm |
| I | Track length on ground | 3260 mm |
| J | Track length | 4066 mm |
| K | Track gauge | 2180 mm |
| L | Track shoe width | 800, 900, 1000 mm |
| M | Overall track width with | |
| | 800 mm shoe | 2980 mm |
| | 900 mm shoe | 3080 mm |
| | *1000 mm shoe | 3280 mm |

* Note: 1000 mm shoes are offset by 50 mm towards the outside of the machine to avoid interference

TRANSPORT DIMENSIONS

| | | | |
|------------|----------------|----------------|----------------|
| Arm | 2100 mm | 2500 mm | 3000 mm |
| N | 7578 mm | 7595 mm | 7560 mm |
| O | 4737 mm | 4442 mm | 4283 mm |
| P | 2608 mm | 2707 mm | 3000 mm |

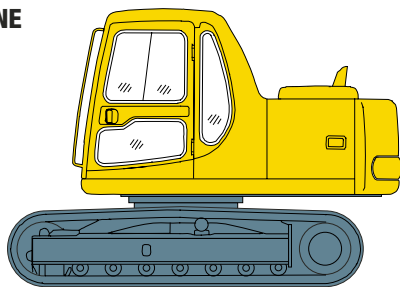


COMPONENTS DIMENSIONS AND WEIGHTS

PC150LGP-6

Specifications and equipment may vary according to regional availability

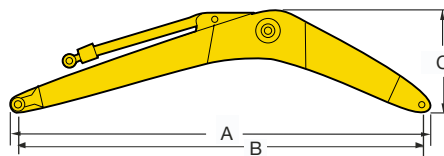
BASIC MACHINE



(APPROXIMATE WEIGHTS)

| Shoe width | Weight |
|------------|----------|
| 800 mm | 13490 kg |
| 900 mm | 13630 kg |
| 1000 mm | 13770 kg |

BOOM WITH ARM CYLINDER



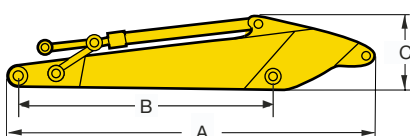
| A | B | C | Weight |
|---------|---------|---------|---------|
| 4738 mm | 4600 mm | 1310 mm | 1060 kg |

BOOM CYLINDER

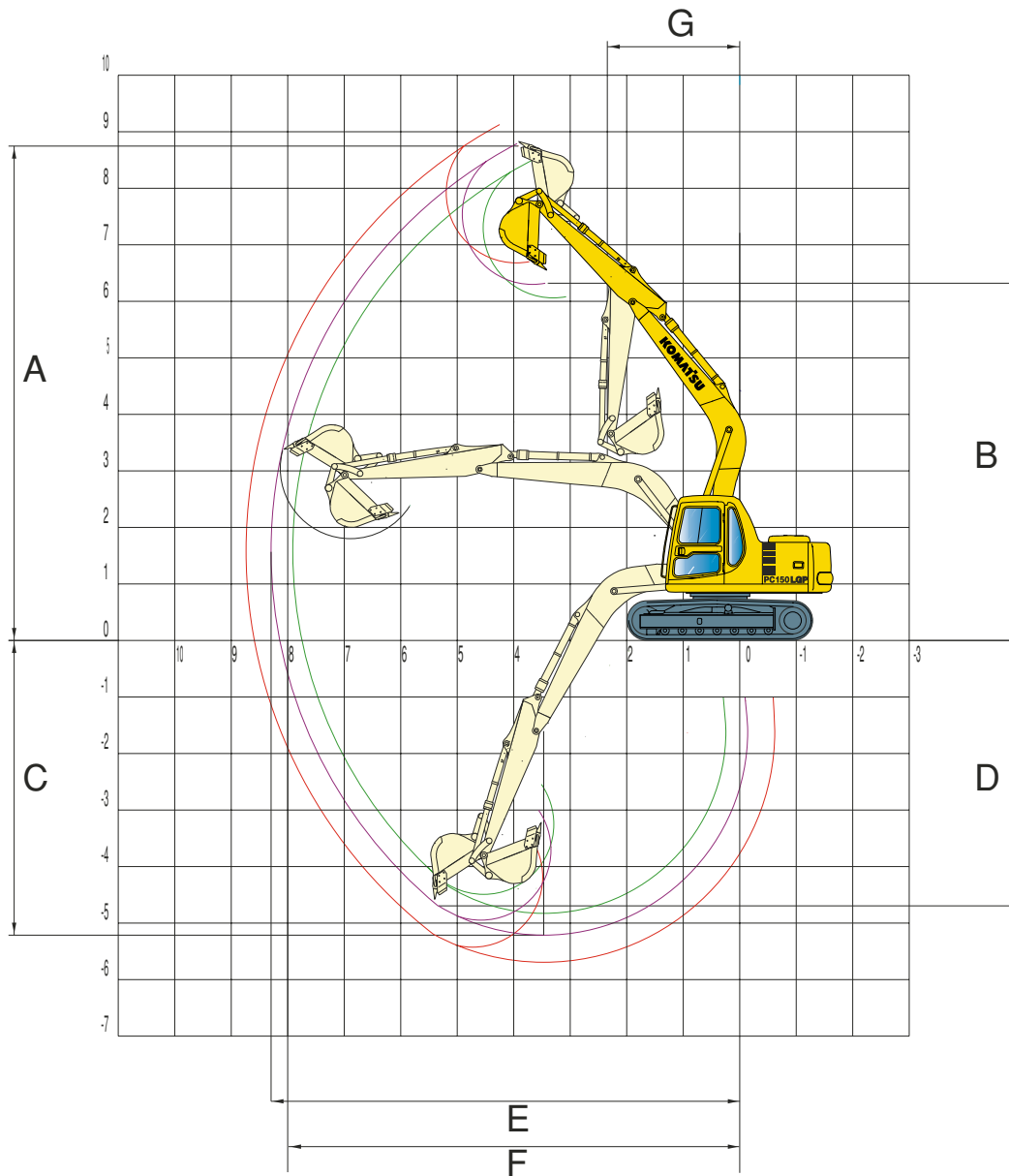


| A | B | Weight |
|---------|--------|--------|
| 1400 mm | 170 mm | 80 kg |

ARM WITH BUCKET CYLINDER AND LINKAGE



| Arm | 2.1 m | 2.5 m | 3.0 m |
|---------------|---------|---------|---------|
| A | 2860 mm | 3270 mm | 3770 mm |
| B | 2100 mm | 2500 mm | 3000 mm |
| C | 646 mm | 594 mm | 643 mm |
| Weight | 440 kg | 460 kg | 610 kg |



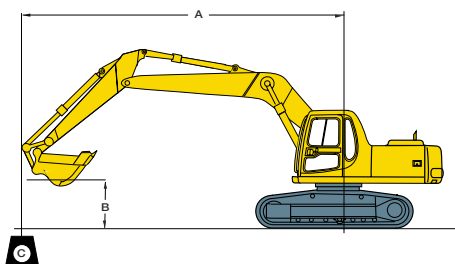
| Arm length | 2100 mm | 2500 mm | 3000 mm |
|--------------------------------------|---------|---------|---------|
| A Max. digging height | 8508 mm | 8750 mm | 9120 mm |
| B Max. dumping height | 6080 mm | 6320 mm | 6700 mm |
| C Max. digging depth | 4828 mm | 5220 mm | 5690 mm |
| D Max. vertical wall digging depth | 4310 mm | 4695 mm | 5196 mm |
| E Max. digging reach | 7910 mm | 8295 mm | 8740 mm |
| F Max. digging reach at ground level | 7750 mm | 8140 mm | 8590 mm |
| G Min. swing radius | 2318 mm | 2350 mm | 2495 mm |
| Bucket digging force* | 8500 kg | 8500 kg | 8500 kg |
| Arm crowd force* | 7500 kg | 6300 kg | 5250 kg |

* At power max.

LIFTING CAPACITIES

PC150LGP-6

When removing bucket, linkage or cylinder, lifting capacities can be increased by their respective weights



A – Reach from swing center

B – Bucket hook height

– Rating over front

– Rating over side

– Rating at maximum reach

| Arm length | B | A | | 7.0 m | | 6.0 m | | 4.5 m | | 3.0 m | | 1.5 m | | |
|----------------------|--------|-------|-------|-------|-------|-------|-------|-------|-------|-------|-------|-------|-------|-------|
| | | | | | | | | | | | | | | |
| With 900 mm shoe | 6.0 m | kg | *1600 | *1600 | | | *2650 | *2650 | | | | | | |
| | 4.5 m | kg | *1500 | *1500 | *2400 | 2350 | *2900 | *2900 | | | | | | |
| | 3.0 m | kg | *1500 | *1500 | *3100 | 2350 | *3250 | 3000 | *3700 | *3700 | | | | |
| | 1.5 m | kg | *1550 | *1550 | *3350 | 2250 | *3750 | 2900 | *4750 | 4500 | *7300 | *7300 | | |
| | 0.0 m | kg | *1750 | *1750 | 3300 | 2200 | *4150 | 2750 | *5600 | 4250 | *8500 | 8050 | | |
| | -1.5 m | kg | *2050 | 2050 | 3250 | 2150 | 4100 | 2700 | *5900 | 4100 | *9200 | 7850 | *4250 | *4250 |
| | -3.0 m | kg | *2700 | 2500 | | | *3850 | 2700 | *5550 | 4100 | *8400 | 7850 | *6850 | *6850 |
| -4.5 m | kg | *3250 | *3250 | | | | | *4000 | *4000 | *6250 | *6250 | | | |
| With 900 mm shoe | 6.0 m | kg | *1900 | *1900 | | | | | | | | | | |
| | 4.5 m | kg | *1800 | *1800 | | | *3300 | 3100 | *3350 | *3350 | | | | |
| | 3.0 m | kg | *1800 | *1800 | *2950 | 2350 | *3600 | 3050 | *4200 | *4200 | *5600 | *5600 | | |
| | 1.5 m | kg | *1900 | *1900 | 3400 | 2300 | *4050 | 2950 | *5250 | 4500 | *8250 | *8250 | | |
| | 0.0 m | kg | *2150 | *2150 | 3350 | 2250 | 4250 | 2850 | *5950 | 4300 | *7750 | *7750 | | |
| | -1.5 m | kg | *2600 | 2400 | | | 4200 | 2800 | *6050 | 4250 | *9200 | 8050 | *4850 | *4850 |
| | -3.0 m | kg | *3650 | 3000 | | | | | *5350 | 4250 | *8000 | *8000 | *8150 | *8150 |
| -4.5 m | kg | | | | | | | | | | | | | |
| With 900 mm shoe | 6.0 m | kg | *2350 | *2350 | | | | | *3500 | *3500 | | | | |
| | 4.5 m | kg | *2200 | *2200 | | | *3550 | 3050 | *3750 | *3750 | | | | |
| | 3.0 m | kg | *2200 | *2200 | | | *3850 | 3000 | *4550 | *4550 | *6400 | *6400 | | |
| | 1.5 m | kg | *2300 | 2300 | *2650 | 2300 | *4200 | 2900 | *5500 | 4500 | *8150 | *8150 | | |
| | 0.0 m | kg | *2650 | 2350 | | | 4250 | 2850 | *6050 | 4300 | *7200 | *7200 | | |
| | -1.5 m | kg | *3250 | 2650 | | | 4250 | 2850 | *6000 | 4250 | *8950 | 8100 | *5300 | *5300 |
| | -3.0 m | kg | *3850 | 3400 | | | | | *5000 | 4300 | *7400 | *7400 | *9450 | *9450 |
| -4.5 m | kg | | | | | | | | | | | | | |

* Load is limited by hydraulic capacity rather than tipping.

Ratings are based on SAE Standard No. J1097.

Rated loads do not exceed 87% of hydraulic lift capacity or 75% of tipping load.

BUCKET AND ARM COMBINATION

PC150LGP-6

| Bucket capacity (heaped) | | Width without side cutters | Width with side cutters | Weight without side cutters | No. of teeth | Arm | | |
|--------------------------|---------------------|----------------------------|-------------------------|-----------------------------|--------------|--------------------------|--------------------------|--------------------------|
| SAE, PCSA | CECE | | | | | 2100 mm | 2500 mm | 3000 mm |
| 0.24 m ³ | 0.22 m ³ | 450 mm | 575 mm | 314 kg | 3 | <input type="checkbox"/> | <input type="checkbox"/> | <input type="checkbox"/> |
| 0.28 m ³ | 0.26 m ³ | 550 mm | 675 mm | 339 kg | 3 | <input type="checkbox"/> | <input type="checkbox"/> | <input type="checkbox"/> |
| 0.35 m ³ | 0.33 m ³ | 600 mm | 725 mm | 367 kg | 3 | <input type="checkbox"/> | <input type="checkbox"/> | <input type="checkbox"/> |
| 0.47 m ³ | 0.43 m ³ | 750 mm | 875 mm | 419 kg | 4 | <input type="checkbox"/> | <input type="checkbox"/> | <input type="checkbox"/> |
| 0.59 m ³ | 0.53 m ³ | 900 mm | 1025 mm | 469 kg | 4 | <input type="checkbox"/> | <input type="checkbox"/> | <input type="checkbox"/> |
| 0.68 m ³ | 0.61 m ³ | 1000 mm | 1125 mm | 497 kg | 4 | <input type="checkbox"/> | <input type="checkbox"/> | <input type="checkbox"/> |
| 0.76 m ³ | 0.69 m ³ | 1100 mm | 1225 mm | 525 kg | 4 | <input type="checkbox"/> | <input type="checkbox"/> | <input type="checkbox"/> |
| 0.84 m ³ | 0.76 m ³ | 1200 mm | 1325 mm | 563 kg | 4 | <input type="checkbox"/> | <input type="checkbox"/> | <input type="triangle"/> |

These charts are based on over-side stability with fully loaded bucket at maximum reach. Please consult your local dealer for the bucket range available in your region.

Material weight up to 1.5 t/m³
 Material weight up to 1.2 t/m³
 – Not for use

CRAWLER EXCAVATOR SERIES PC150LGP-6



STANDARD EQUIPMENT

Standard and optional equipment may vary. Consult your Komatsu dealer for more information.

- Komatsu S4D102E-1 emissionised turbo charged diesel engine
- Double element type air-cleaner with monitor panel dust indicator and auto-dust evacuator
- Suction type cooling fan with radiator flyscreen
- Automatic fuel line de-aeration
- Engine key stop
- Alternator, 24 Volt, 25 ampere
- Batteries, 2x12 Volt, 80 Ah
- Starter motor, 24 Volt, 4.5 kW
- Electronic closed-centre load sensing (E-CLSS) hydraulic system (HydrauMind)
- Pump and engine mutual control (PEMC) system
- Monitor panel with working mode selection system
- Swift slow down
- Fuel supply pump
- Power-max function
- Active mode
- Auto-deceleration function
- Automatic engine warm-up system
- Engine overheat prevention system
- Fuel control dial
- Adjustable PPC wrist control levers for arm, boom, bucket and swing
- PPC control levers and pedals for steering and travel
- 3-speed travel system with automatic-shift and hydraulic travel and parking brakes
- All-weather sound suppression type cab with tinted safety glass windows, pull-up type front window with locking device, removable lower window, ashtray, luggage box, floor mat
- Suspension seat with adjustable arm rests
- Front window wiper with intermittent feature
- Electrical horn
- Cigarette lighter
- Large handrails and rear-view mirrors
- Boom safety valves
- Remote greasing for swing circle and pins
- Lockable fuel cap and covers
- Parts book and operator manual
- Track roller guards
- Air conditioner
- Overload warning device
- Complies with EC requirements
- Additional hydraulic circuit (1-piece boom)
- Radio-cassette
- Track-Frame under-guards

OPTIONAL EQUIPMENT

- 800, 900, 1000 triple grouser track-shoes
- 1-Piece boom
- 2-Piece boom
- Heated suspension seat
- 2.1 m, 2.5 m, 3.0 m arms
- Additional hydraulic circuit for 2-piece boom
- Machine lifting points
- Arm safety valve
- Additional cab roof lights
- Komatsu buckets
- Quick coupler

KOMATSU

**Komatsu Europe
International N.V.**

Mechelsesteenweg 586
B 1800 VILVOORDE (BELGIUM)

Tel. (32)2/255 24 11
Fax (32)2/252 19 81
Telex 24.380 Eukom b
Cable: KOMASEI, Bru B